

s.7400 3 Way Diverting standard port 1/2" - 1" hot forged brass ball valves

RuB s.7400 range is the right choice for fluid diversion

It is designed with robust maintenance-free components ensuring ease of operation and safety.

With a simple 90° turn, one can divert flow from one downstream outlet to the other. It combines traditional manual operation with modern automation.

In fact, it is very easy to convert from its steady lever handle to actuator ISO 5211 flange assembly. It features low operating torque and a special self-compensating seat design that successfully passed 100,000 cycle life tests

Features and Specifications:

- 3-way L design for flow diversions
- Hot forged sand blasted, nickel plated brass body and cap sealed with Loctite or equivalent thread sealant
- Approved by GOST-R (RU), Hygenic (RU), ROSTEKHNADZOR (RU), UckSepro (U)
- Finest brass according to EN 12165 and EN 12164 (formerly DIN 17660 and UNI 5705-65) specifications
- ISO 5211 and DIN 3337 mounting flange for universal connection to actuator
- Standard port for compact design
- Electronic 100% seal test guaranteed
- Reinforced PTFE self-lubricating seats with flexible-lip and wear compensation design
- Chrome plated solid brass ball
- No metal-to-metal moving parts
- Nickel plated blowout-proof brass stem
- Two FPM O-rings at the stem for maximum safety
- No maintenance ever required
- EN 10226-1, ISO 228 parallel Female by Female threads
- Silicone-free lubricant on all seals
- 30 bar (Kg/cm²) non-shock cold working pressure
- Range: -20°C +170°C temperature (Warning: freezing of the fluid in the installation may severely damage the valve)



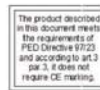
Options:

- Electric and pneumatic actuator
- Direct actuator mounting ISO 5211
- Lockable handle with stop
- Adapter flange kit with screws
- Stainless trim
- Special valve configurations available upon request

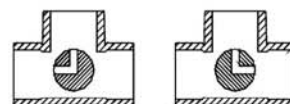
Approved By:



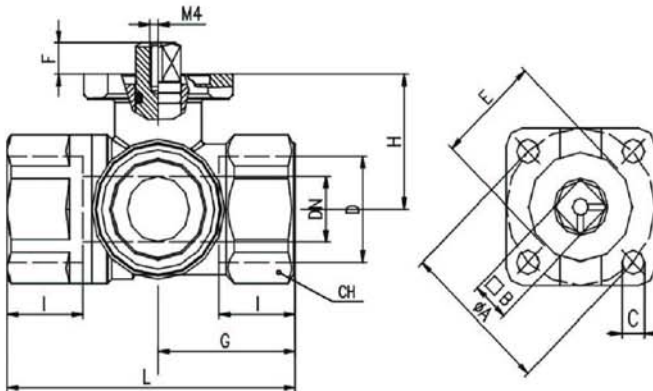
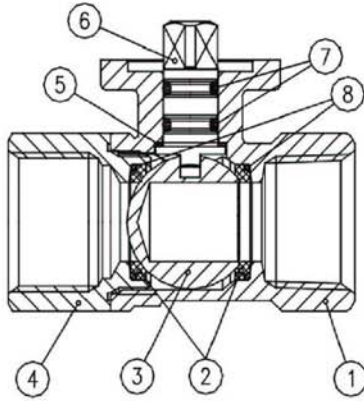
NOTE: Approvals apply to specific configurations only.



S.74 3-way "L" port mounting plan



Technical Specifications:



PART DESCRIPTION	Q.ty	Material
1 Nickel plated body	1	CW617N
2 Ball seat	2	Ptfe graphite filled 15%
3 Chrome plated ball	1	CW617N
4 Nickel plated end cap	1	CW617N
5 Washer	1	Ptfe carbon filled 25%
6 Nickel plated stem O-Ring design	1	CW617N
7 O-Ring	2	FPM
8 O-Ring	2	FPM

Valve code	S74D00	S74E00	S74F00
D (Inch)	1/2	3/4	1
DN(mm)	15	15	20
I (mm)	15.5	18	21
L (mm)	67	69.5	82
G (mm)	33	33	41
H (mm)	31	31	38.5
CH (mm)	31	31	37
ØA(mm)	36	36	36
□ B(mm)	9	9	9
C (mm)	5.6	5.6	5.6
øE(mm)	25	25	25
F(mm)	7.5	7.5	8.5
Flange confection DIN ISO 5211 DIN 3337	F03	F03	F03

Ask for additional information on the whole range of RuB valves and consult with your supplier for special applications.

Torque for Actuator Sizing N.m

Delta P →	0 ÷ 30 bar	
	To open	To close
1/2"	3,1	1,8
3/4"	3,1	1,8
1"	4,1	2,3

Torque correction factors

Valve torque can vary according to operating frequency, temperature, and friction characteristics of the media.

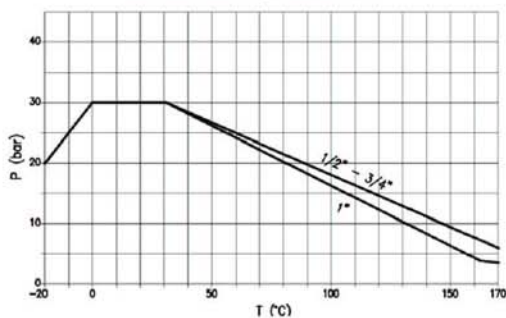
If media has more or less friction than water, multiply torque by the following factors.

Lubricating oils or liquids 0.8

Dry gases, superheated steam 1.5

Slurries or liquids bearing abrasive particles 1.5+2.5

Pressure - Temperature Chart



Pressure Drop Chart

