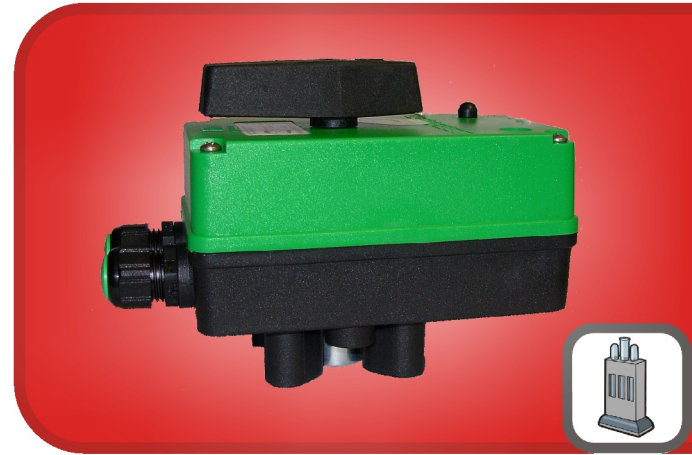


C-Tork Actuators

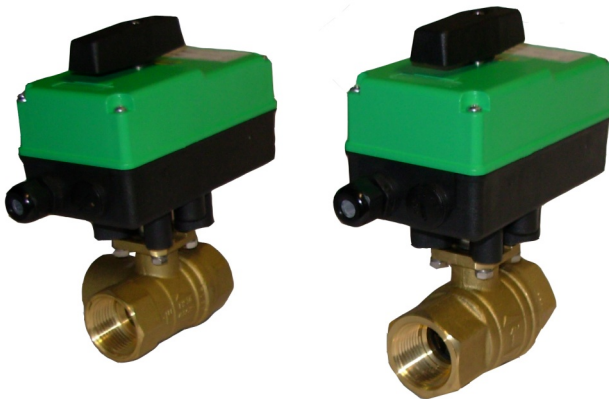
Compact light weight electric actuators

Features and Specifications:

- Direct ISO 5211 mount on valves
- Compact package with perfect shaft alignment
- Great compatibility with RuB 1/2" 1.1/2" ball valves
- Fire resistant plastic housing with steam proof O-ring seals,
- Working environment temperature: minimum +14° F maximum +122° F (-10°C +50°C)
- Several voltage ratings available:
230V AC 110V AC 24V AC 24V DC 12V DC,
- IP and NEMA ratings as shown on second page,
- Auxiliary micro-switches available as shown on second page,

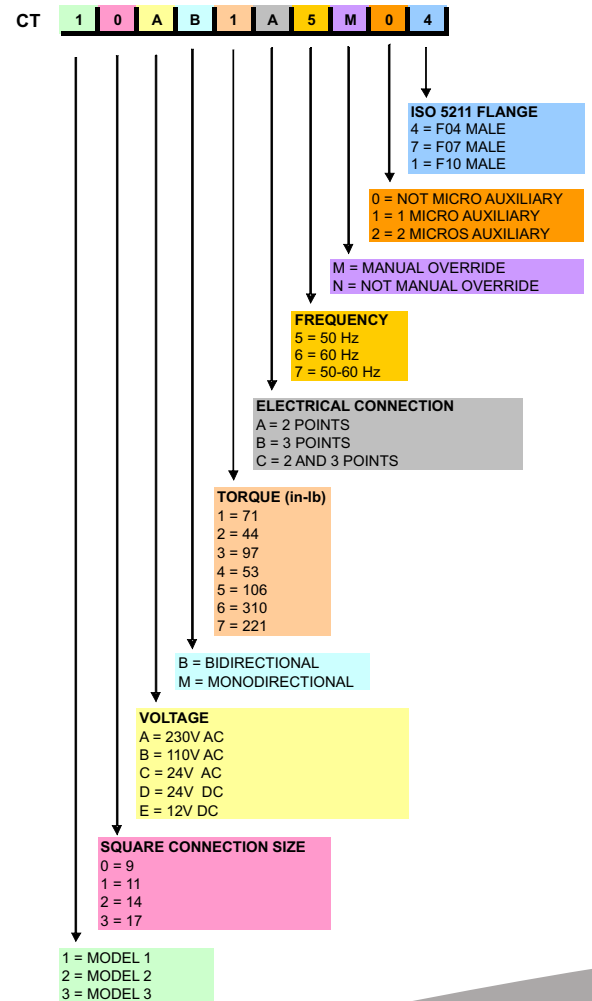


Upon request actuators are assembled with valves and tested at RuB plant.



ACTUATOR OPTIONS AND HOW TO ORDER

Catalog codes to specify C-Tork actuators



Note: for possible configurations please refer to the table on the back



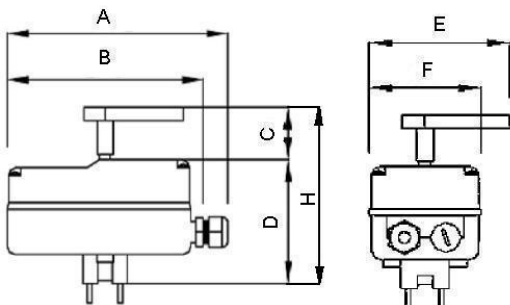
C-Tork Actuators

Compact light weight electric actuators

Technical Specifications:

MODEL	ISO 5211 FLANGES	STROKE TIME sec (90°)	TORQUE		VOLTAGE OPTIONS	FREQ.	IP RATING	NEMA RATING	DUTY CYCLE	MANUAL OVERRIDE	AUXILIARY MICROS	
			in-lb	Nm								
AC CT1	F03/05 FEMALE	45*	71	8	230V AC	50 Hz	44	N/A	100%	N/A	1 INCLUDED	
					110V AC							
					24V AC							
	SQUARE SIZE 9 - 11 - 14	45	71	8	230V AC	50-60 Hz						
					110V AC							
					24V AC							
SQUARE SIZE 9 - 11 - 14 - 17	10	44	5	230V AC	50-60 Hz							
				110V AC								
				24V AC								
AC CT2	F03/05 FEMALE F04 MALE F07 MALE	35	97	11	230V AC	50-60 Hz	65	4X	60%	AVAILABLE AT COST	1 OR 2 AVAILABLE AS OPTIONS	
					110V AC							
					24V AC							
		SQUARE SIZE 9 - 11 - 14 - 17	12	53	6	230V AC				50-60 Hz		N/A
						110V AC						
						24V AC						
	SQUARE SIZE 9 - 11 - 14 - 17	12	106	12	230V AC	50-60 Hz	40%	N/A	N/A	N/A		
					110V AC							
					24V AC							
		SQUARE SIZE 11 - 14 - 17	4	44	5	230V AC					50-60 Hz	
						110V AC						
						24V AC						
AC CT3	F05/07 FEMALE F10 MALE	50	310	35	230V AC	50-60 Hz	65	4X	40%	INCLUDED	2 INCLUDED	
					110V AC							
					24V AC							
	SQUARE SIZE 11 - 14 - 17	30	221	25	230V AC	50-60 Hz						
					110V AC							
					24V AC							
DC CT1	N/A											
DC CT2	F03/05 FEMALE F04 MALE F07 MALE SQUARE SIZE 9 - 11 - 14 - 17	21	97	11	12V DC	/	55	N/A	100%	N/A	2 INCLUDED	
					24V DC	/						
DC CT3	F05/07 FEMALE F10 MALE SQUARE SIZE 11 - 14 - 17	21	310	35	12V DC	/	55	N/A	100%	N/A	2 INCLUDED	
					24V DC	/						

* The CT1 actuator is monodirectional. All other models are reversing.



OVERALL DIMENSIONS - inches
Shown with optional override lever
(not applicable on CT1)

CODE	CT1	CT2	CT3
A	—	6.1	7.2
B	4.4	5.3	6.2
C	—	1.4	—
D	3.4	3.3	—
E	—	3.7	5.3
F	2.3	2.9	3.9
H	—	4.7	5.4